

Minuteman[®]

More Than Just Clean



Scrubmaster B25
Parts Manual

Minuteman International, Inc.
A Member of the Hako Group

988794 Rev A 08/23

PREFACE

Thank you for your purchase of the new industry standard for floor scrubbers. Minuteman International takes great pride in offering the most dependable, reliable and best value in industrial vacuums, power sweepers and sweeper / scrubbers. We set the standard.

Our Customer Service Department would like to hear from you. If you see any errors, omissions or something that needs clarification in this Parts Catalog please let us know. We are working hard towards continually improving our processes to bring you the best you deserve. Please copy the form below, fill out and comment on how you found our catalog.

Thank you!
The Minuteman International Team

Name: _____

Title: _____

Company Name: _____

Address: _____

Country: _____

Type of equipment or model number: _____

Comments: _____

Please return to:
Customer Service Manager
Minuteman International, Inc.
14N845 U.S. Route 20
Pingree Grove, Illinois 60140 USA

Phone: (800) 323-9420
Email: tech@minutemanintl.com

Technical Specifications

Model **Scrubmaster B25**
Models: **SM1707QP**

Technical Data	SM1707QP
Working width scrubbing	17 in.
Width squeegee	24 in.
Area performance, theor.	18,300 ft ² /hr
Climbing ability	2%
Power source	Battery
Traction drive	Powerflow
Working speed in km/h	2.5 m/h
Type of brushes	Teller
No. of brushes	1
Brush diameter	17 in.
Brush speed in rpm	150 rpm
Brush pressure	73 lb
Solution tank in litres	6.6 gal.
Recovery tank in litres	6.6 gal.
Rated voltage	24 V
Total power	.77 kW
Battery capacity maximal Li-Ion	41 Ah
Theor. Runtime maximal Li-Ion	75 min (VDMA)
Pract. Runtime maximal Li-Ion	85 min (VDMA)
Length w. squeegee	38-47 in.
Width without/with squeegee	20-24 in.
Height	33-43 in.
Weight without batt.	106 lb.
Gross weight w. batt. Li-Ion	220 lb.
Spec. wheel pressure front/rear	239 N/in ²
Noise level at the Operator's Ear	70 dB(A) / Eco 67
Min. aisle turn	38 in.

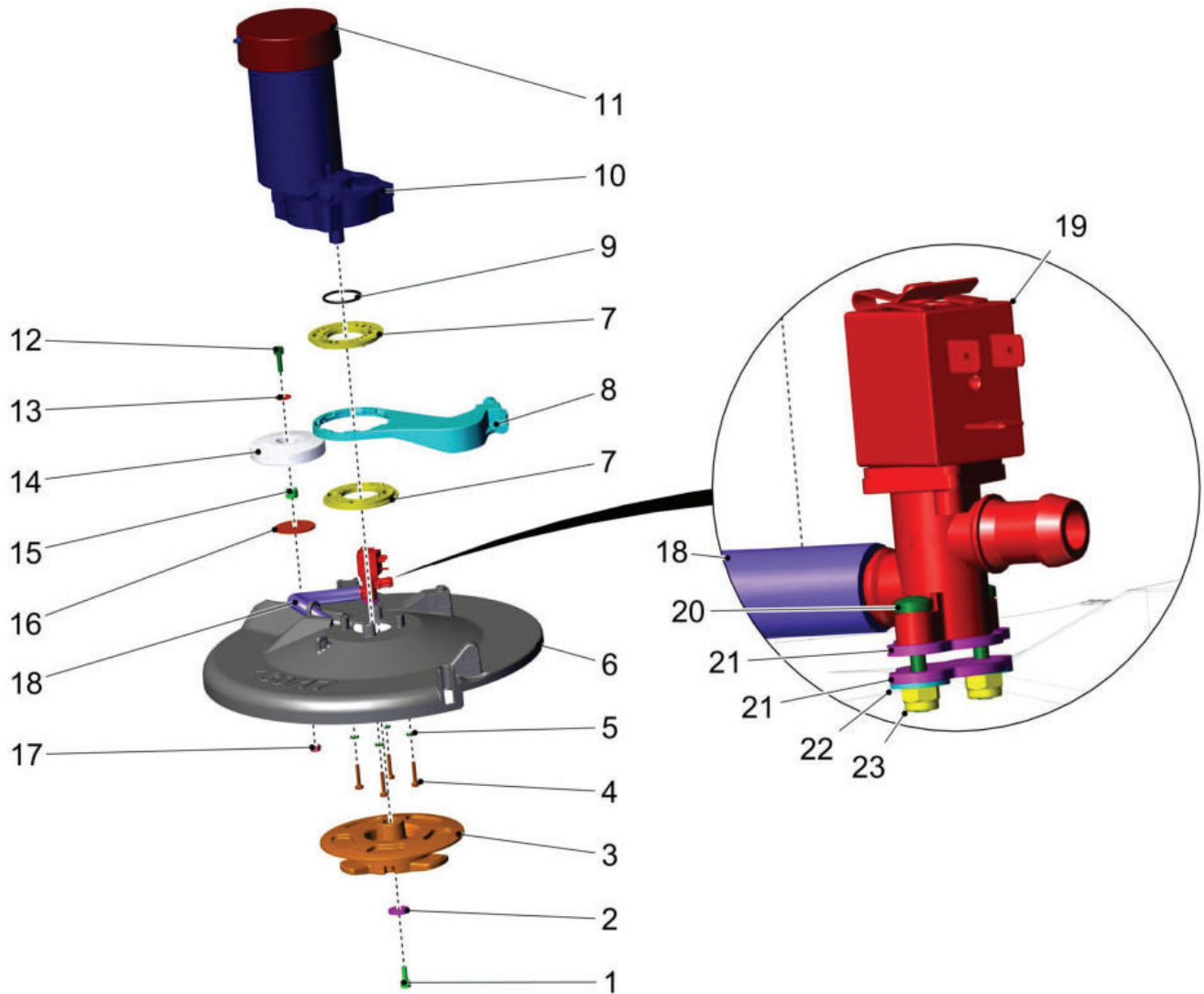
For Safety When Servicing or Maintaining Machine

- Stop on level surface.
- Disconnect the power to the machine.
- Avoid moving parts. Do not wear loose jackets, shirts, or sleeves when working on machine.
- Authorized personnel must perform repairs and maintenance. Use Minuteman supplied replacement parts.

Table of Contents

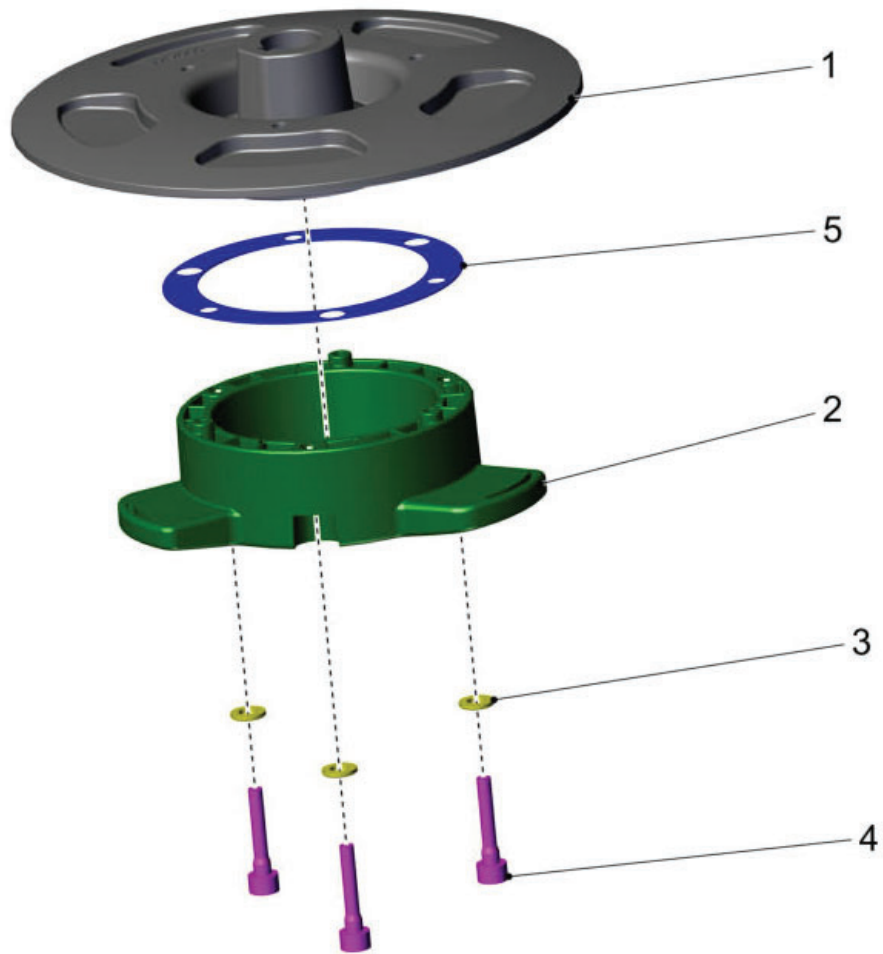
Technical Specifications.....	3
Exploded Views	6
Brush Head	6
Brush Driver	8
Squeegee.....	10
Control Bar.....	12
Gear Stamp	14
Recovery Tank	16
Recovery Tank Lid	18
Recovery Hose.....	20
Water Filter-Axle-Suction Hose.....	22
Axle	24
Water Filter.....	25
Solution Tank	26
Electric Plate/Lithium Battery Charger	28
Electric Plate	30
Battery Charger Plate.....	32
Lithium Battery	34
Additional Weight	36
Cleaning Tools.....	38

**Exploded Views
Brush Head**



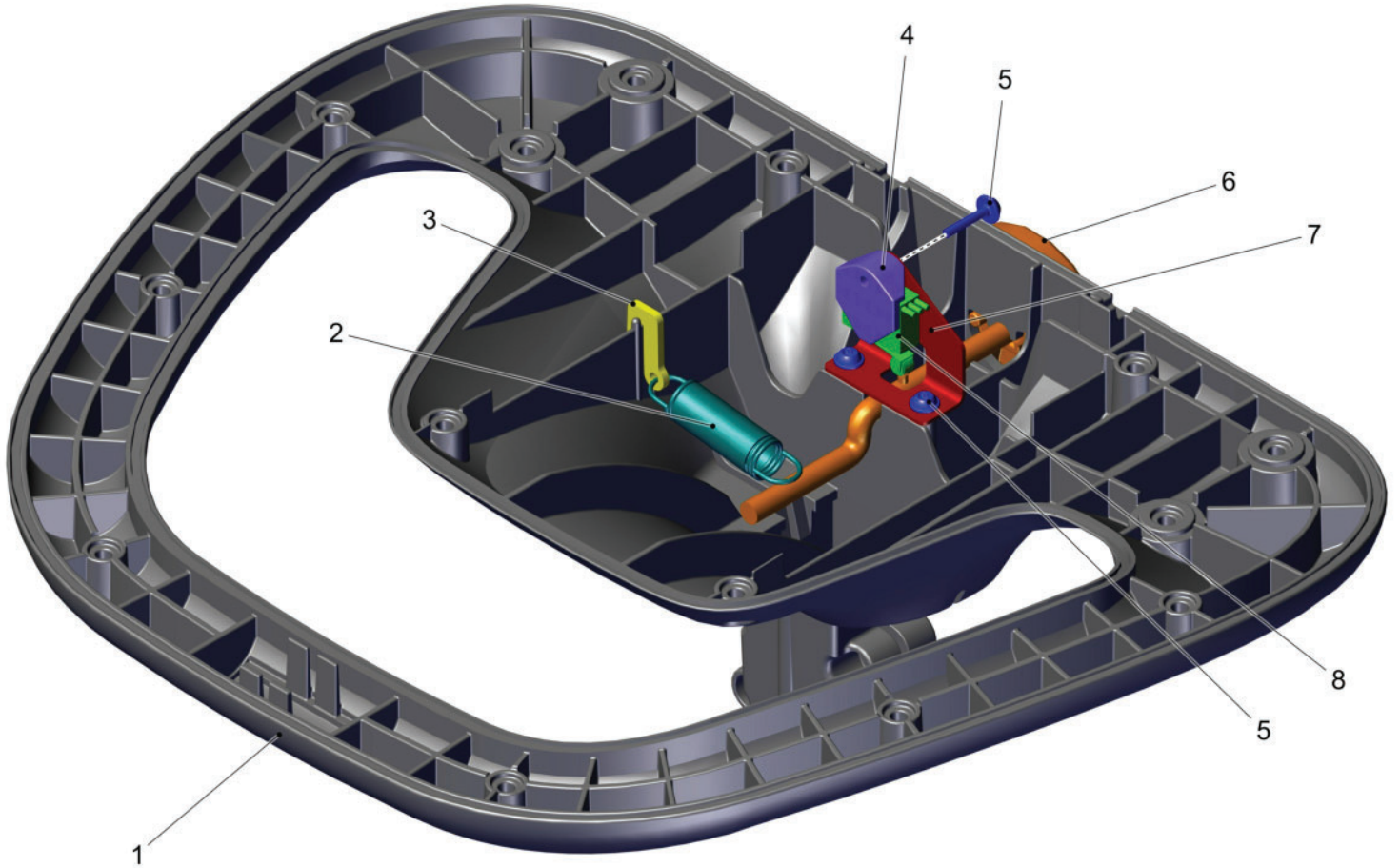
BILL OF MATERIAL			
ITEM	PART NO.	QTY	DESCRIPTION
1	01017670	1	SOCKET HEAD SCREW
2	00879170	1	WASHER
3	---	1	BRUSH DRIVER
4	00053040	4	HEXAGON SCREW
5	00053730	4	WASHER
6	01385740	1	BRUSH COVERING
7	01385720	2	SLIDE WASHER
8	01385760	1	SUCTION UNIT CONNECTION
9	01178840	1	O-RING
10	01385710	1	DRIVE
11	01385730	1	SPLASH GUARD
12	00103300	1	SOCKET HEAD SCREW
13	01079080	1	SPACER
14	01383370	1	DEFLECTOR ROLLER GREY
15	00879030	1	PIPE
16	01178290	1	CONICAL SPRING WASHER
17	00101540	1	HEX. NUT
18	00112010	1	HOSE
19	01385770	1	SOLENOID VALVE
20	00954570	2	FILLISTER-HEAD SCREW
21	01385750	2	RUBBER MAT
22	00557150	2	WASHER
23	00133830	2	HEX. NUT

Brush Driver



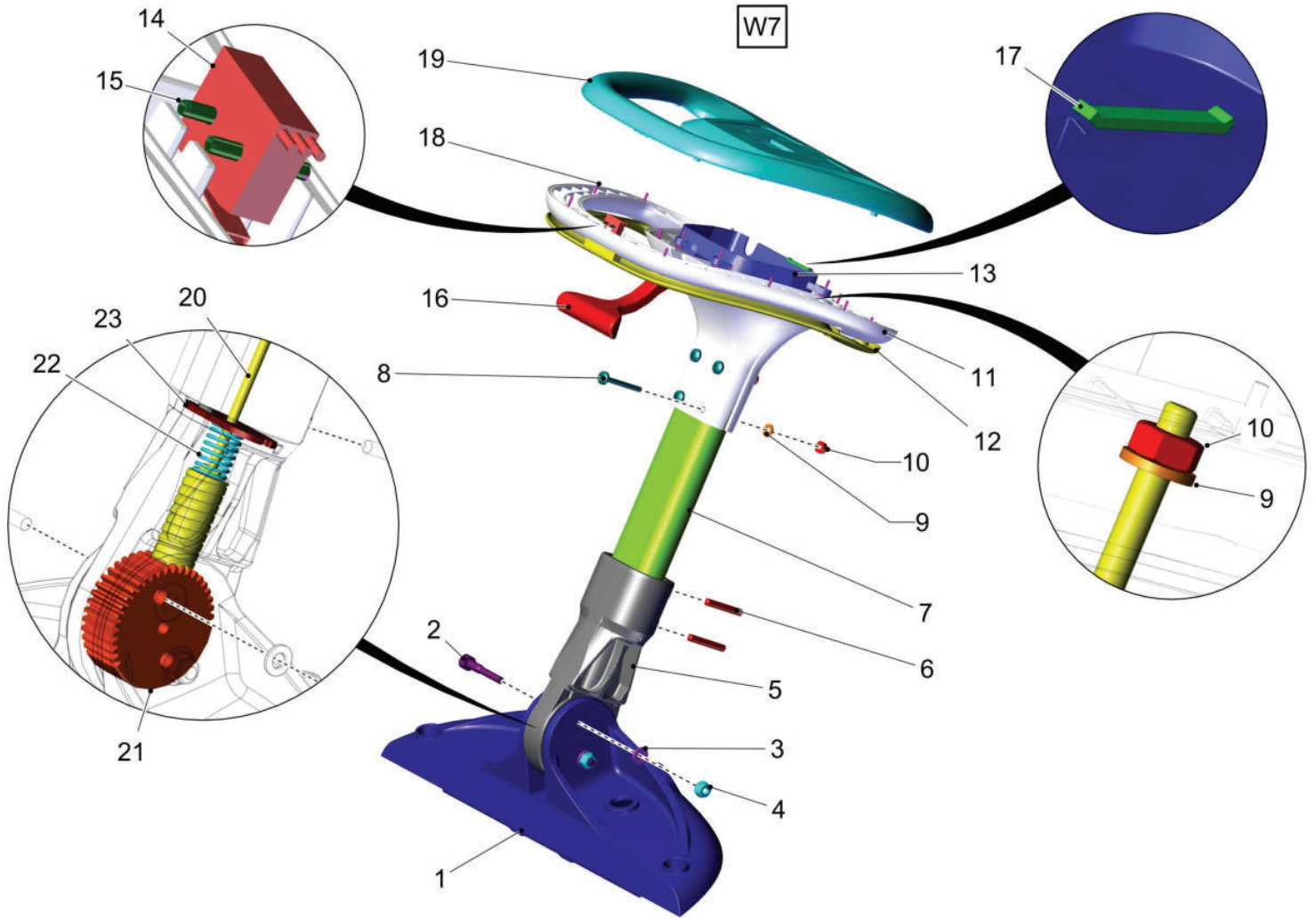
BILL OF MATERIAL			
ITEM	PART NO.	QTY	DESCRIPTION
1	01385780	1	BRUSH DRIVER
2	01172910	1	DRIVER
3	00102150	3	WASHER
4	01170820	3	SOCKET HEAD SCREW
5	01387790	1	DISTANCE BLANK

Squeegee



BILL OF MATERIAL			
ITEM	PART NO.	QTY	DESCRIPTION
1	01386220	1	SUCTION UNIT CONNECTION
2	01386320	1	SLOT STRIP
3	01386280	1	SEALING STRIP
4	01386270	1	TENSION BAND
5	01386580	2	DEFLECTOR ROLLER GREY
6	00135120	2	WASHER
7	---	2	SPARE PART ON REQUEST
8	00694790	3	SOCKET HEAD SCREW
9	01386540	3	TRACK ROLLER
10	00102150	5	WASHER
11	00102140	3	HEX. NUT

Control Bar



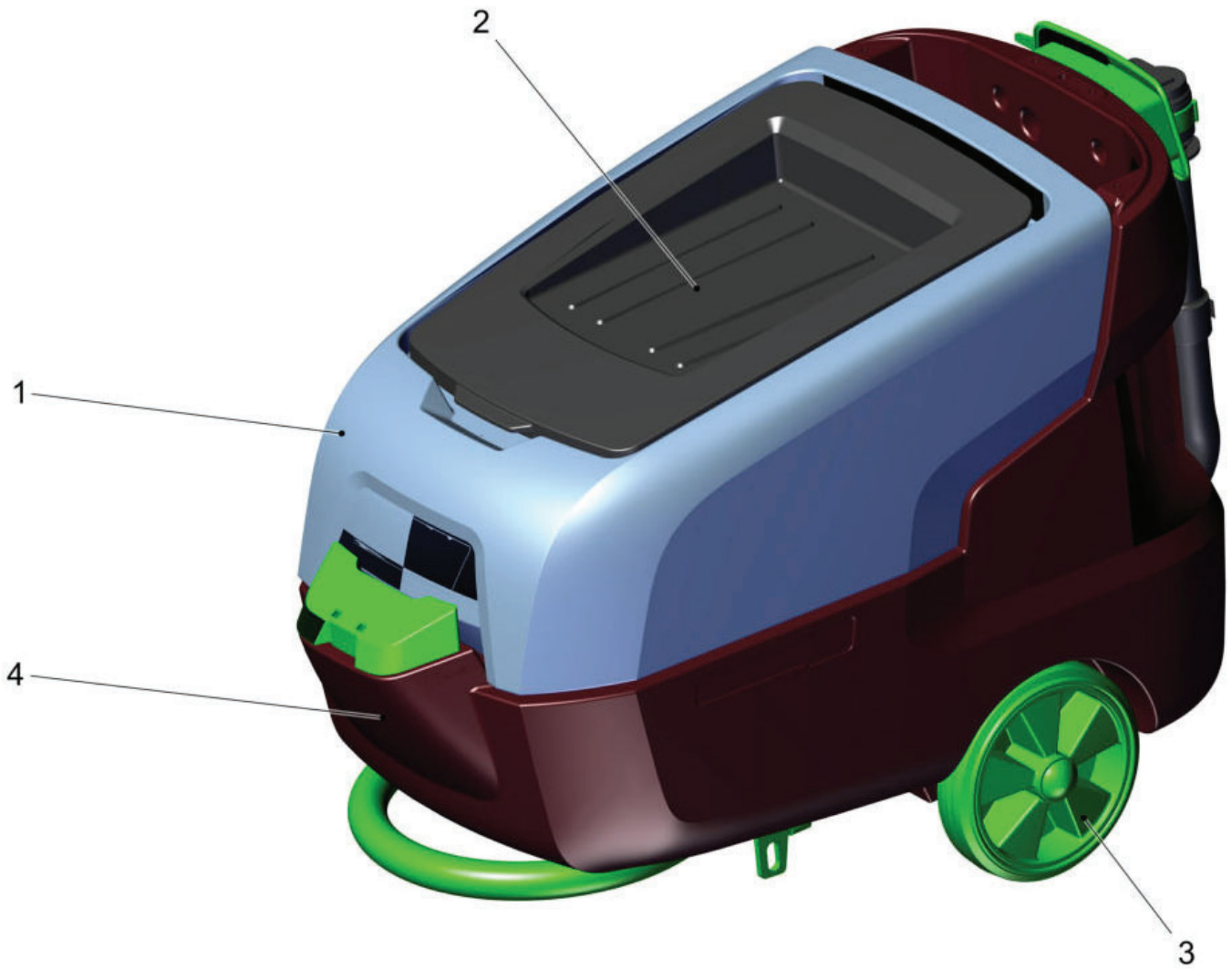
BILL OF MATERIAL			
ITEM	PART NO.	QTY	DESCRIPTION
1	01385680	1	BEARING BRIDGE
2	01122070	2	SOCKET HEAD SCREW
3	00053750	2	WASHER
4	00696640	2	HEX. NUT
5	01385690	1	HANDLE ADAPTER
6	01384950	4	THREADED PIN
7	01384970	1	FLAT OVAL PIPE
8	01384940	4	COUNTERSUNK SCREW
9	00053730	5	WASHER
10	00051520	5	HEX. NUT
11	01385010	1	BOTTOM SHELL B25
12	01386290	1	START BRACKET
13	01386480	1	PROTECTION CAP
14	01385520	1	MICRO SWITCH
15	01384960	2	SPRING PIN
16	01384980	1	LOCK LEVER
17	01386490	1	SEALING TAPE BLACK
18	01386620	18	SCREW
19	01384250	1	CONTROL PANEL
20	---	1	GEAR STAMP
21	01386310	1	TOOTHED WHEEL
22	01386300	1	COMPRESSION SPRING
23	01385140	1	SHEET METAL
W7	03025590	1	WIRING HARNESS W7

Gear Stamp



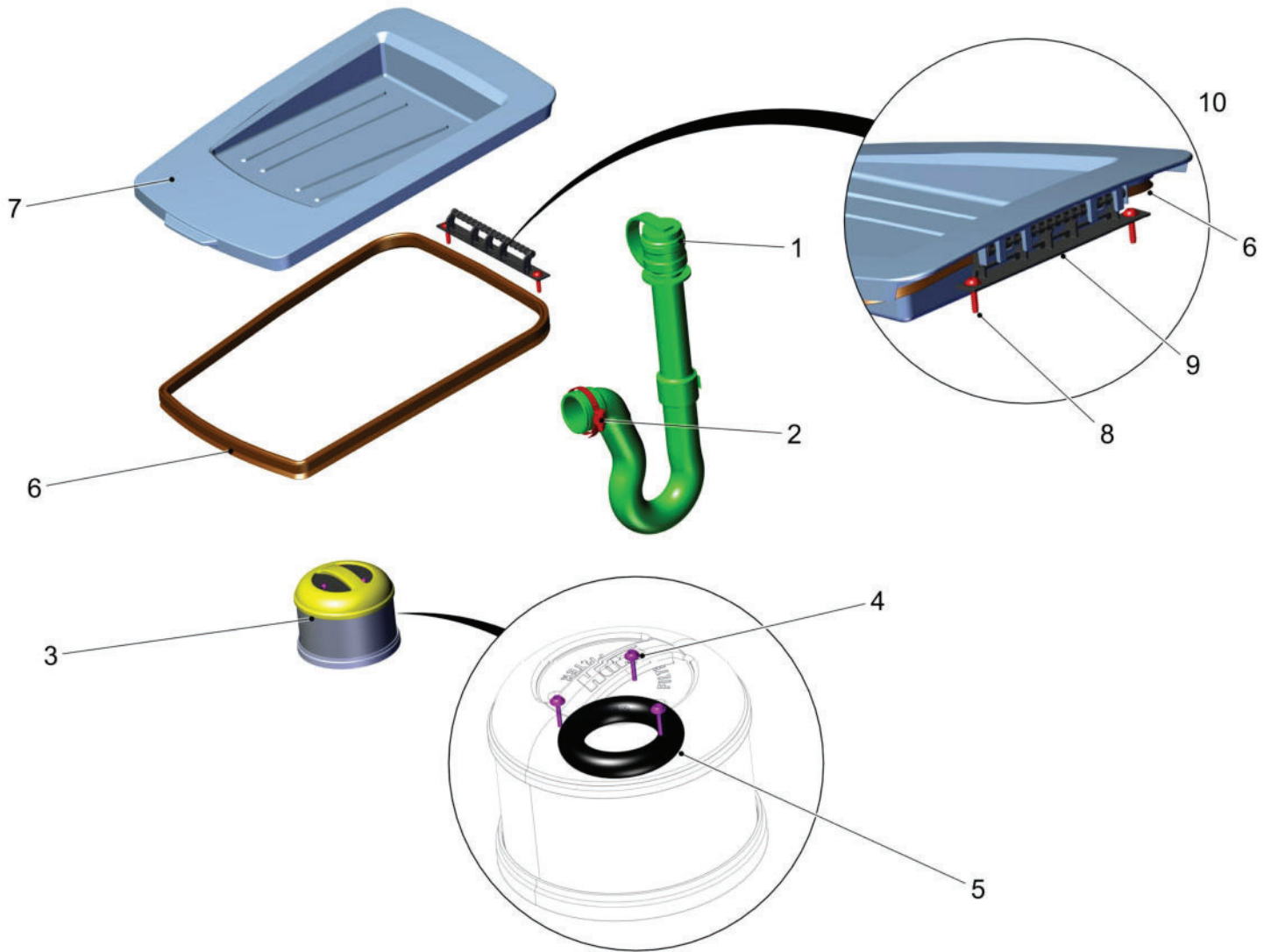
BILL OF MATERIAL			
ITEM	PART NO.	QTY	DESCRIPTION
1	01385030	1	ROD LOCKING
2	01386440	1	TOOTHED WHEEL
3	00121640	1	FEATHER KEY
4	00053330	1	HEX. NUT

Recovery Tank



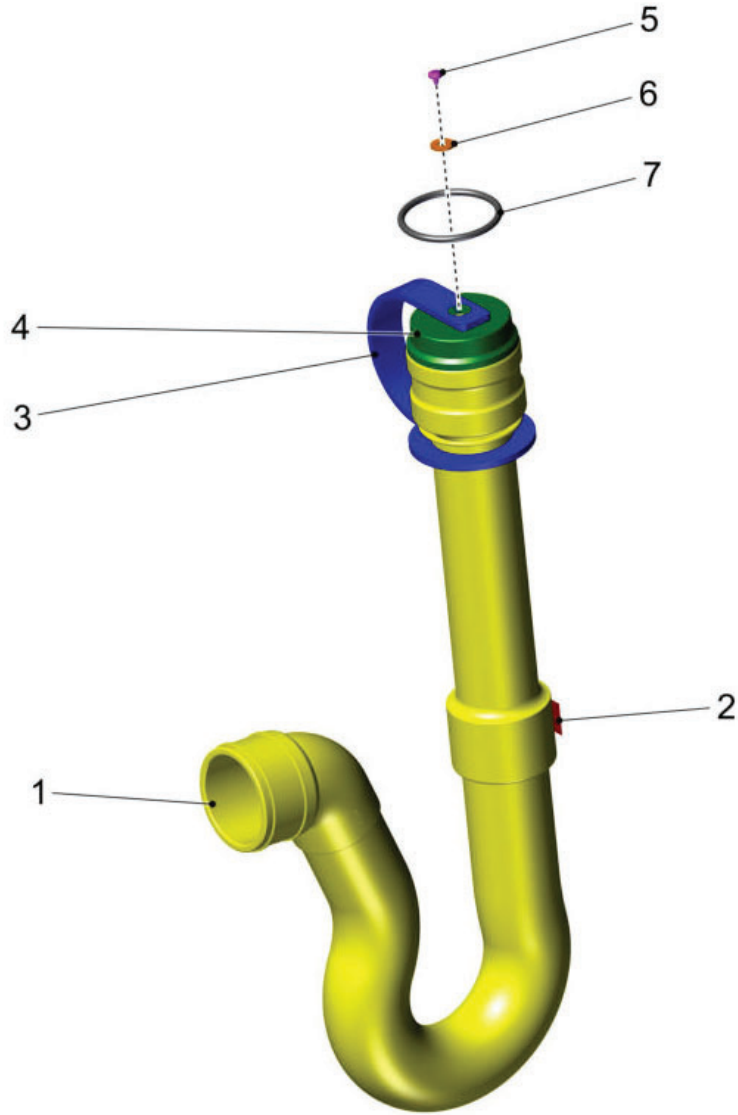
BILL OF MATERIAL			
ITEM	PART NO.	QTY	DESCRIPTION
1	01386330	1	RECOVERY TANK
2	---	1	RECOVERY TANK LID
3	---	1	FILTER-AXLE-SUCTION HOSE
4	---	1	MINUTEMAN DECAL

Recovery Tank Lid



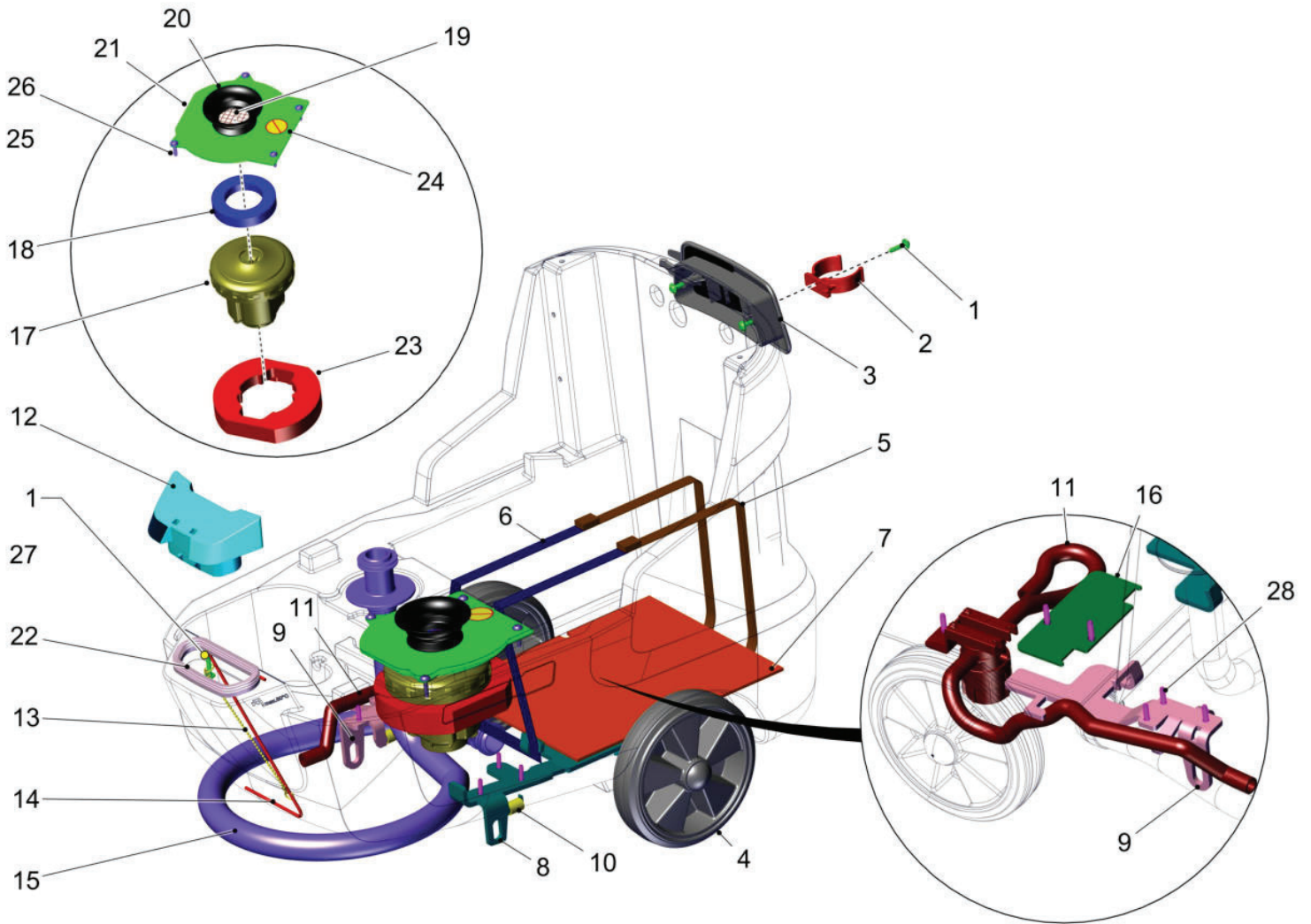
BILL OF MATERIAL			
ITEM	PART NO.	QTY	DESCRIPTION
1	01385210	1	HOSE
2	00732130	1	HOSE CLAMP
3	01385410	1	FILTER
4	01384760	3	SCREW
5	01385170	1	GASKET
6	01071770	1	SEALING PROFILE
7	01386420	1	COVER B25
8	01386560	2	SCREW
9	01386430	1	HINGE
10	01090200	1	HOSE

Recovery Hose



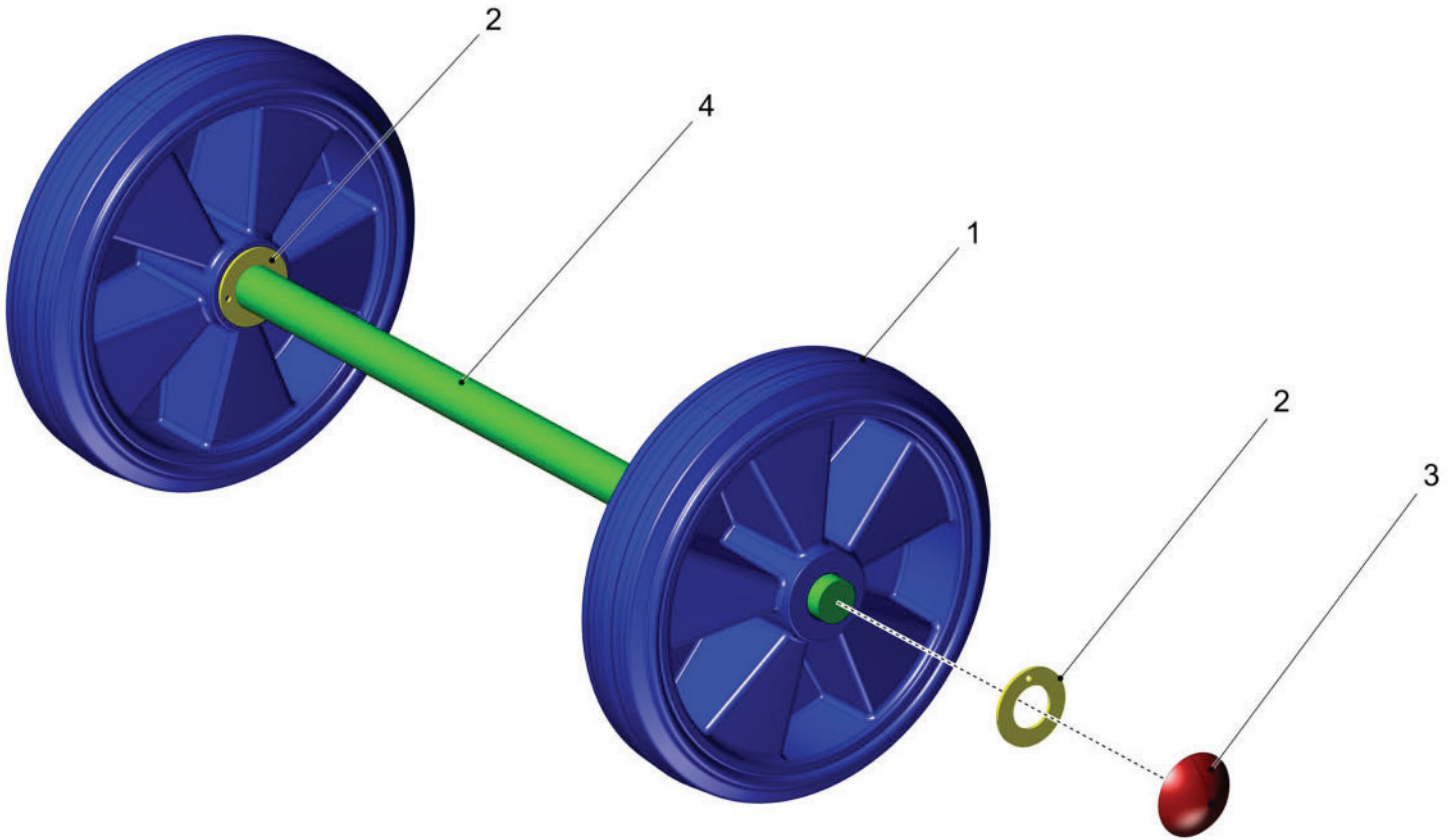
BILL OF MATERIAL			
ITEM	PART NO.	QTY	DESCRIPTION
1	---	1	SPARE PART ON REQUEST
2	01170060	1	DECAL FOUL WATER
3	01276360	1	RETAINING STRAP
4	01276370	1	COVER
5	01276390	1	TAPPING SCREW
6	00557150	1	WASHER
7	01276380	1	O-RING

Water Filter-Axle-Suction Hose



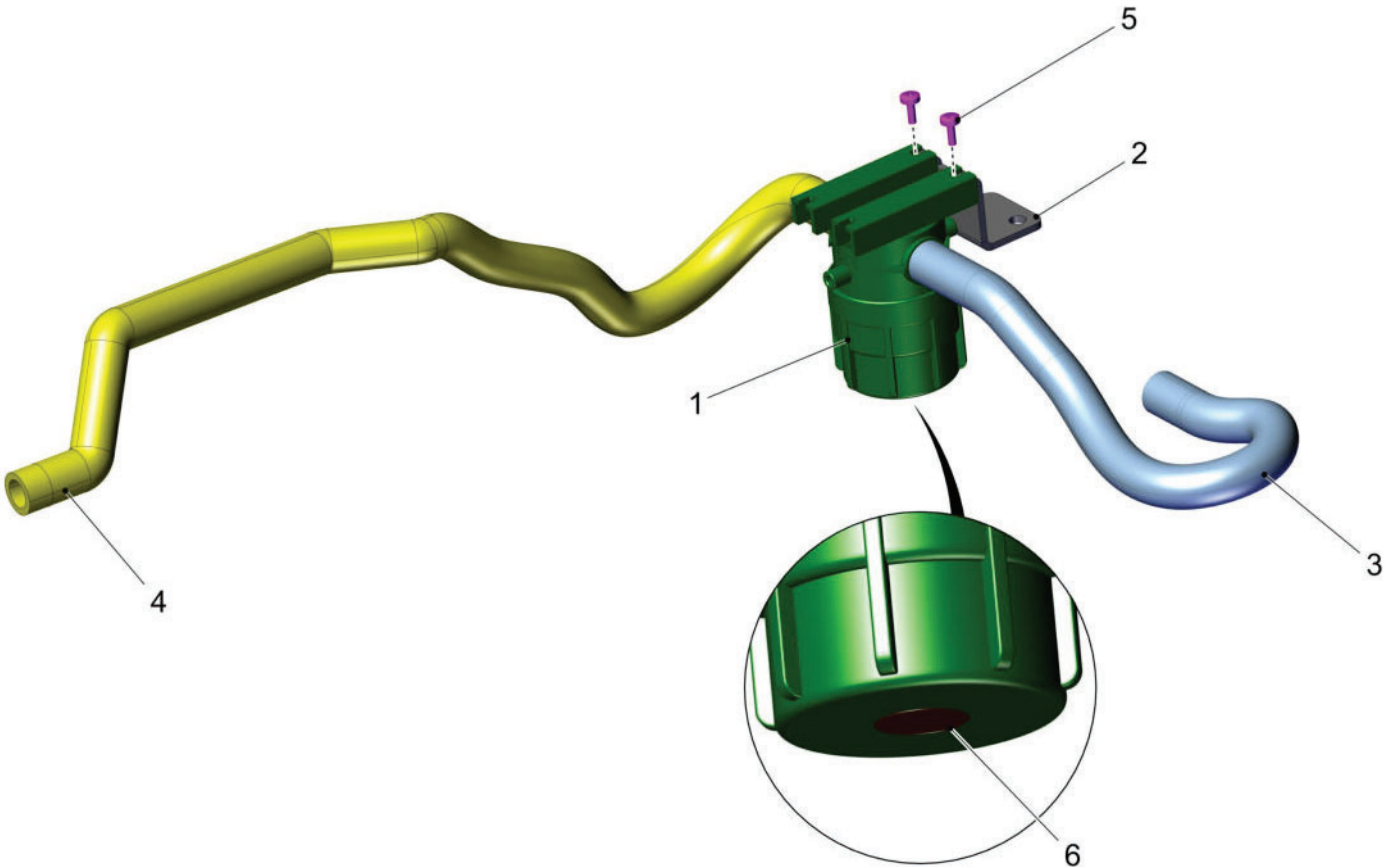
BILL OF MATERIAL			
ITEM	PART NO.	QTY	DESCRIPTION
1	01386560	4	SCREW
2	01375310	1	CLIP
3	01385040	1	PUSH BUTTON
4	---	1	AXLE
5	01386370	2	TENSION BAND
6	01384740	1	WEBBING
7	01371760	1	MAT
8	01384890		BRUSH HEAD RETAINER L.H.
9	01384910	1	BRUSH HEAD RETAINER R.H.
10	00171030	1	HOSE
11	---	1	WATER FILTER
12	01386350	1	TANK CAP
13	01386590	1	BEAD CHAIN
14	01385080	1	WIRE
15	01386390	1	SUCTION HOSE
16	01385090	1	AXLE PROTECTION
17	01385560	1	SUCTION MOTOR
18	01386380	1	GASKET
19	01385050	1	FINGER PROTECTION GRILLE
20	01385070	1	GASKET
21	01385060	1	COVERING
22	01386360	1	SEALING PROFILE
23	01384840	1	TURBINE SEAT
24	01131570	1	LABLE HIGH-PRESSURE CLEANER
25	00555520	4	WASHER
26	01078160	4	SCREW
27	00135120	1	WASHER
28	01074430	9	SCREW

Axle



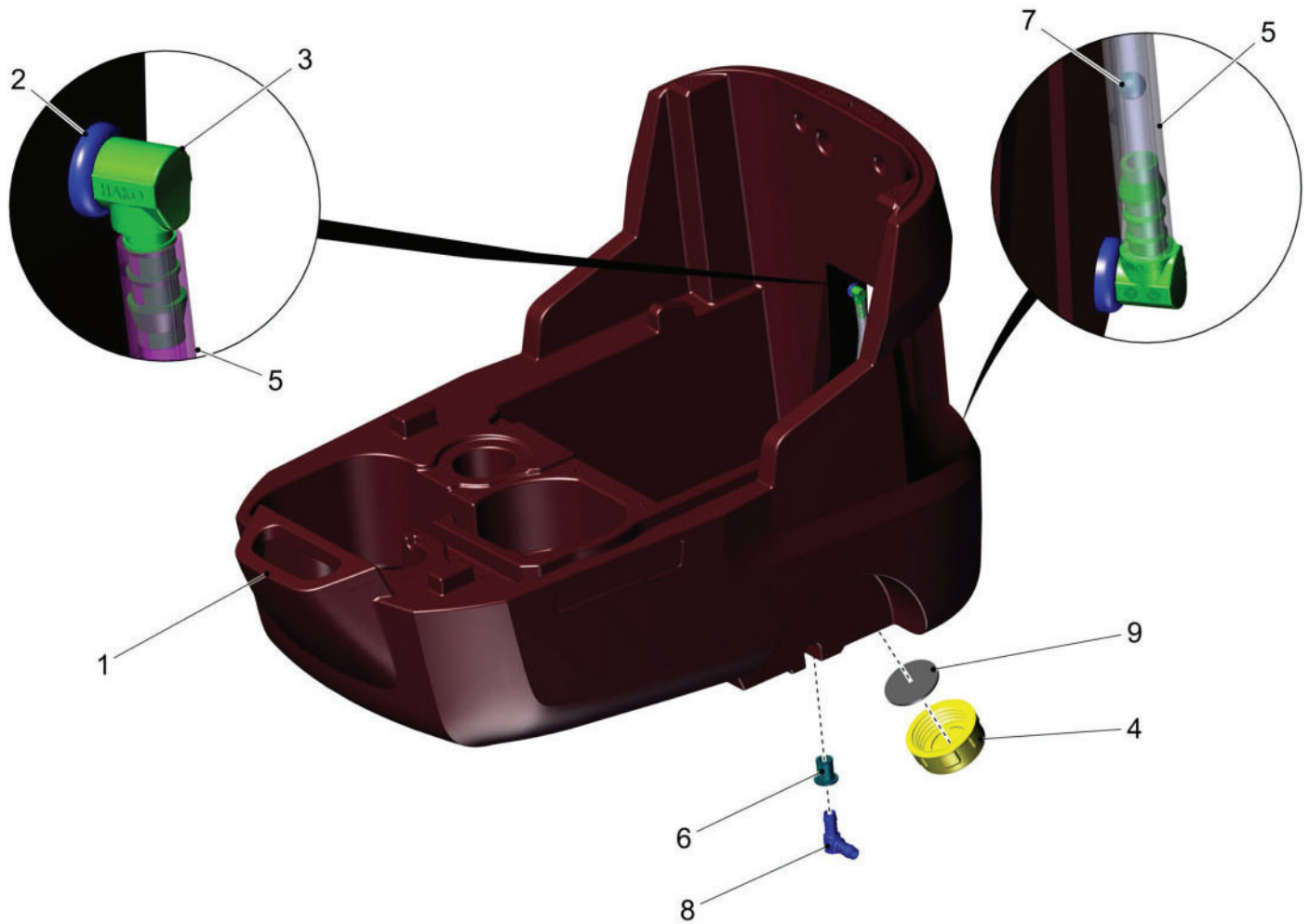
BILL OF MATERIAL			
ITEM	PART NO.	QTY	DESCRIPTION
1	01386400	2	WHEEL
2	01133780	4	STARTING DISK
3	00072270	2	THRUST WASHER
4	01384750	1	AXLE
7	01276380	1	O-RING

Water Filter



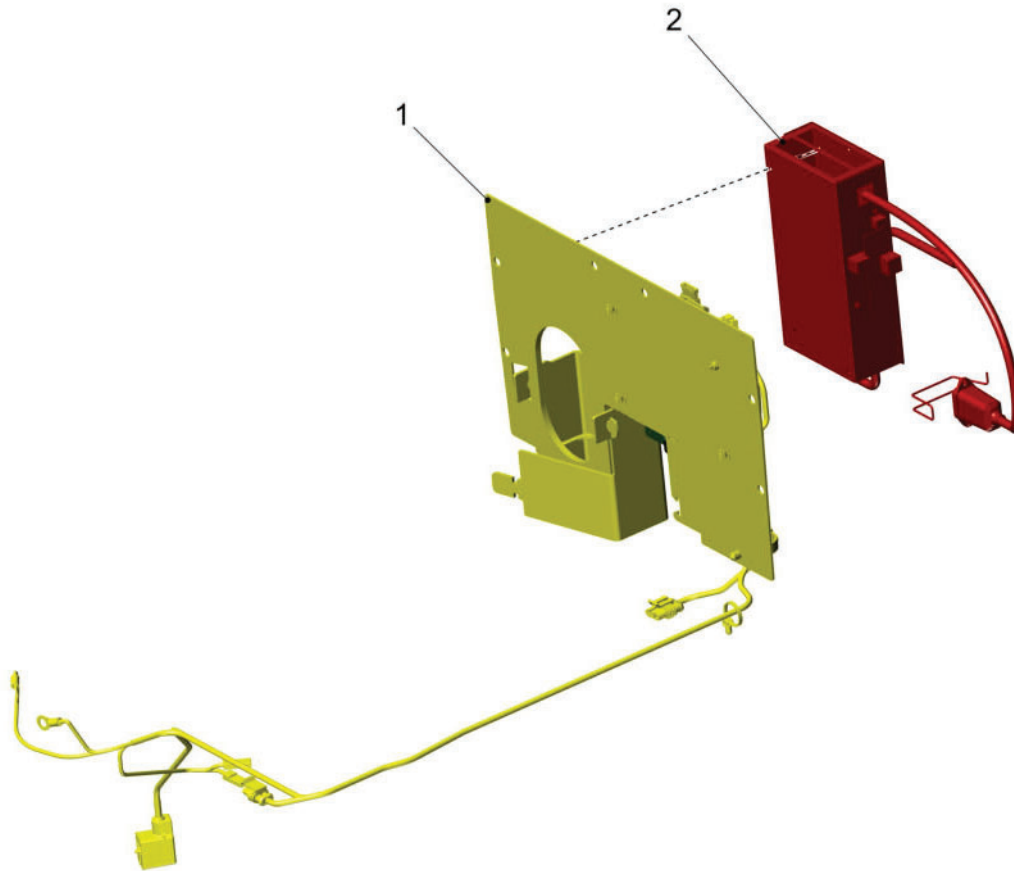
BILL OF MATERIAL			
ITEM	PART NO.	QTY	DESCRIPTION
1	01386410	1	WATER FILTER
2	01385100	1	FILTER CARRIER
3	00112010	1	HOSE
4	00112010	1	HOSE
5	01112160	2	SCREW
6	01179160	1	DECAL YELLOW POINT

Solution Tank



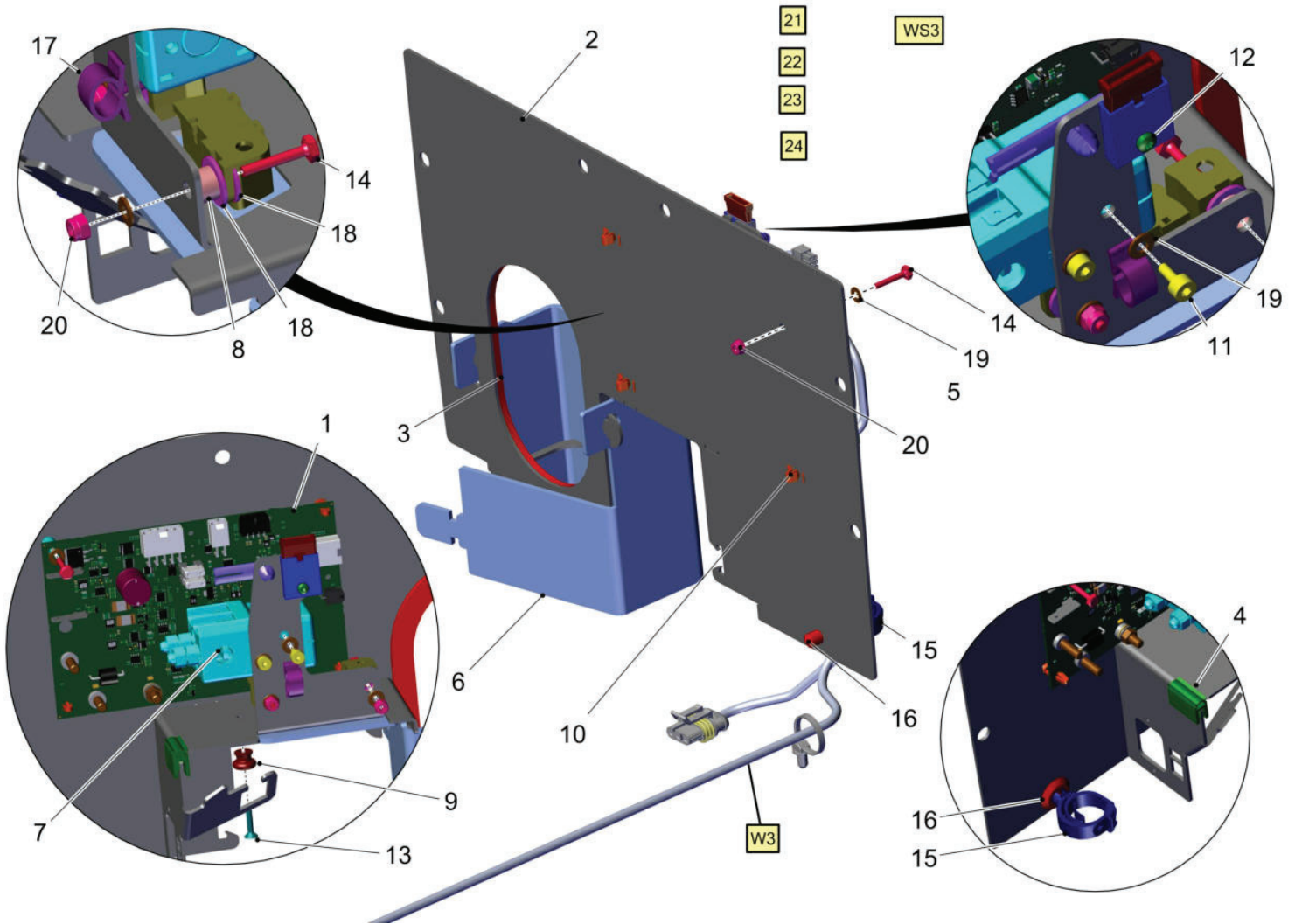
BILL OF MATERIAL			
ITEM	PART NO.	QTY	DESCRIPTION
1	---	1	SPARE PART ON REQUEST
2	00864480	2	CABLE SLEEVE
3	01385790	2	ANGLE SOCKET
4	01385420	1	COVER YELLOW
5	01278240	1	HOSE
6	---	1	SPARE PART ON REQUEST
7	01072170	1	BALL
8	---	1	SPARE PART ON REQUEST
9	01387350	1	GASKET

Electric Plate/Lithium Battery Charger



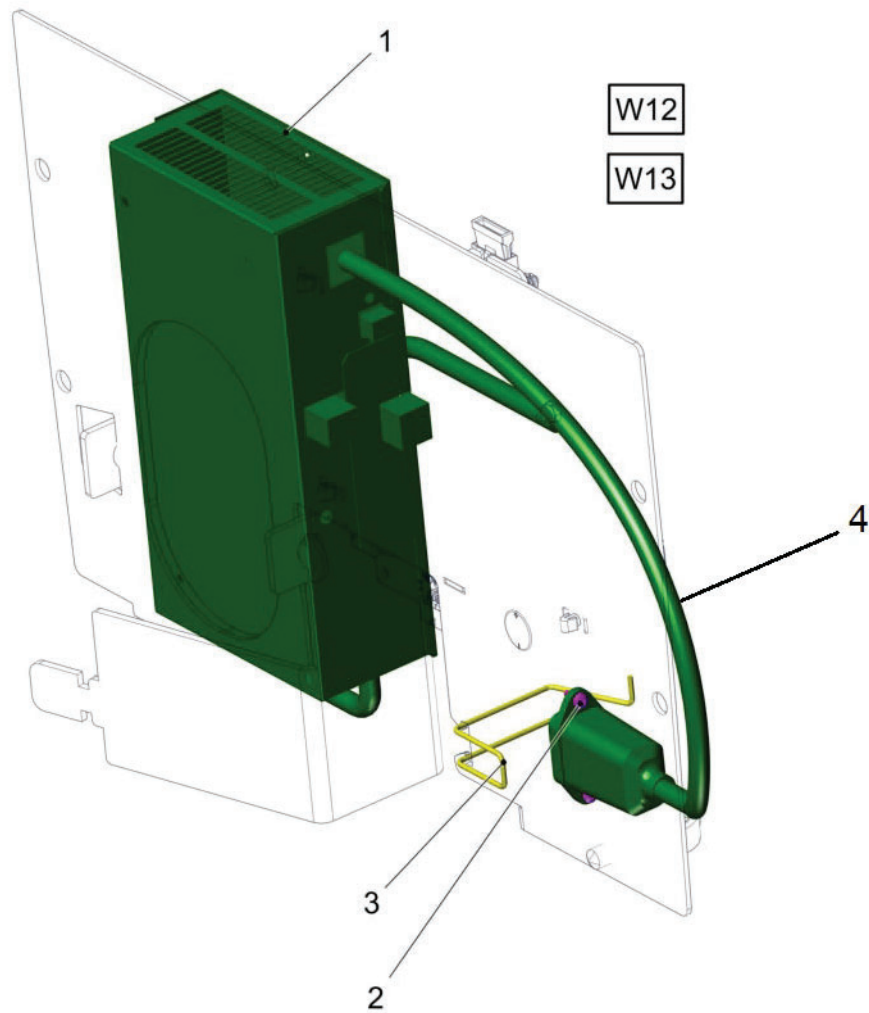
BILL OF MATERIAL			
ITEM	PART NO.	QTY	DESCRIPTION
1	---	1	ELECTRIC PLATE
2	---	1	ELECTRIC PLATE/LITHIUM BATTERY

Electric Plate



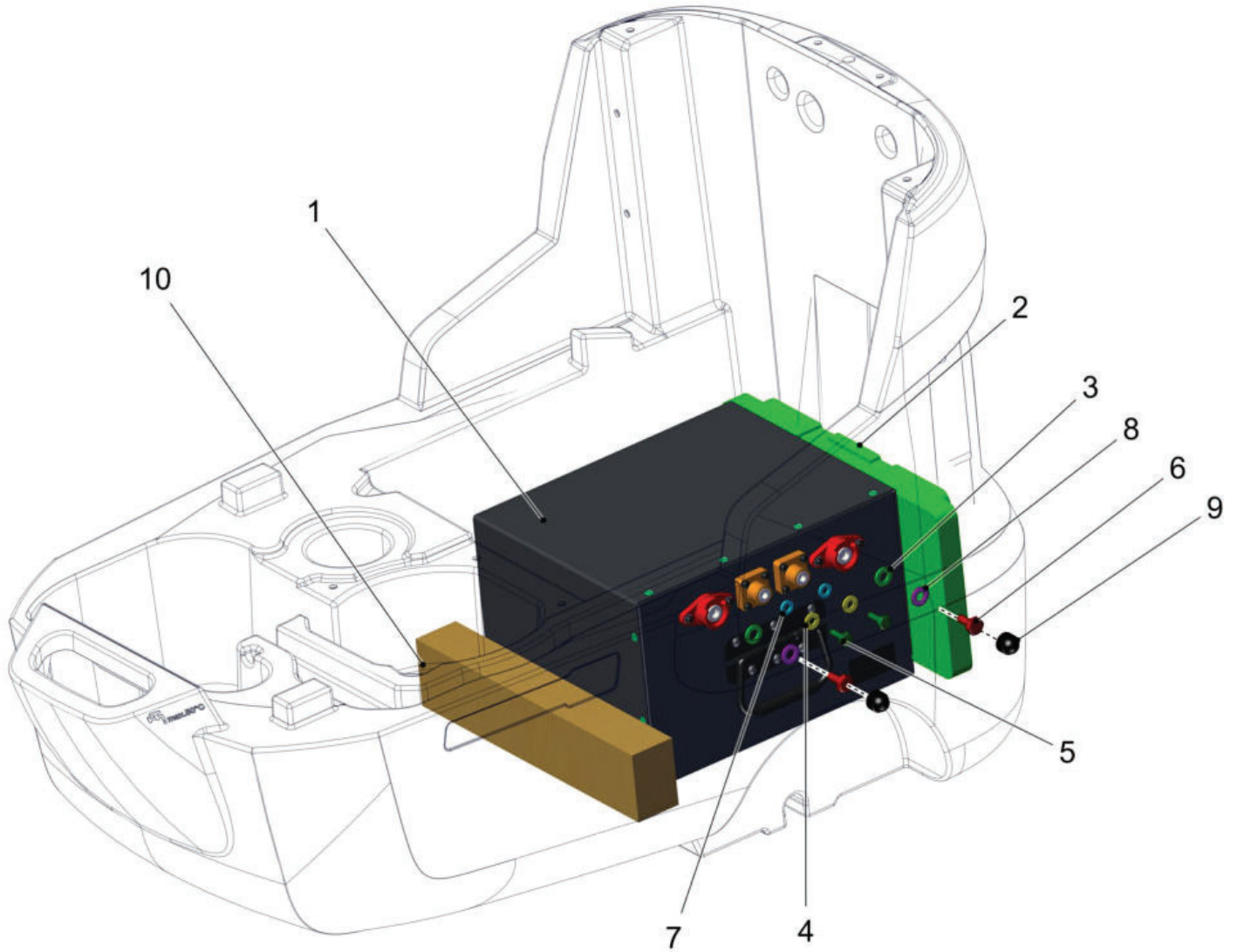
BILL OF MATERIAL			
ITEM	PART NO.	QTY	DESCRIPTION
1	01384880	1	CONTROLLER
2	01384870	1	ELECTRIC PLATE
3	00748620	1	GASKET GREY
4	01493170	1	SEALING PROFILE BLACK
5	01384860	1	BUSHING
6	01386250	1	SPLASH GUARD
7	01116820	1	SOLENOID SWITCH
8	01161750	2	BUSHING
9	01073130	1	KNOB
10	00745840	3	PRINT PLATE HOLDER
11	00730930	2	SOCKET HEAD SCREW
12	01110570	1	SCREW
13	01076700	1	SCREW
14	00108490	3	HEXAGON SCREW
15	01476570	1	RETAINER
16	01370240	1	MOUNTING FEET
17	01143190	1	CABLE CLIP
18	00555520	4	WASHER
19	00053710	5	WASHER
20	00133830	3	HEX. NUT
21	00525910	2	LENS CAP
22	00053830	3	SPRING WASHER
23	00053720	3	WASHER
24	00053320	3	HEX. NUT
W3	03024950	1	WIRING HARNESS W3
WS3	03025090	1	CABLE LOOM WS3

Battery Charger Plate



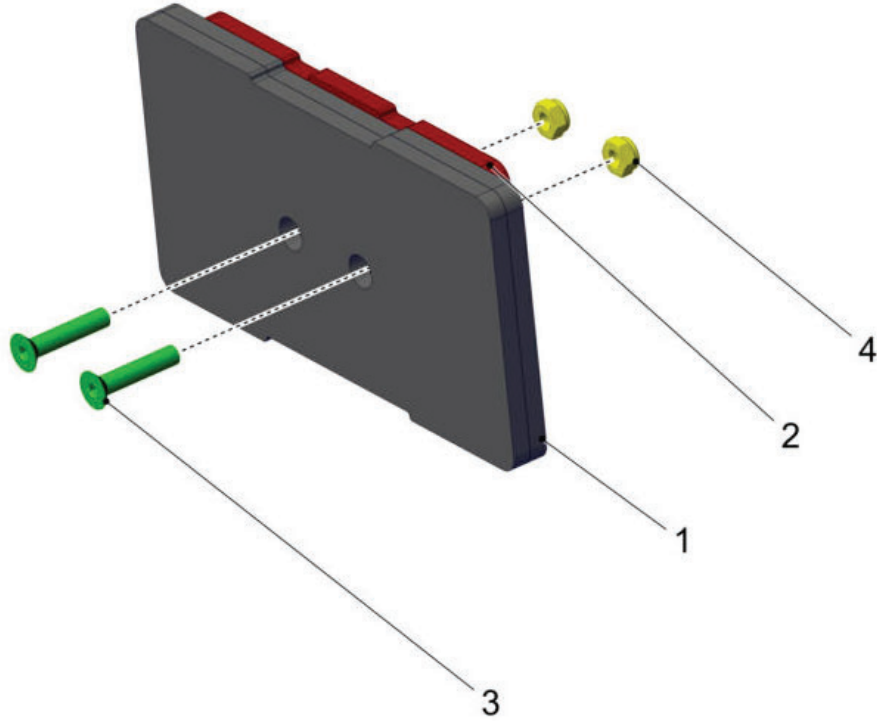
BILL OF MATERIAL			
ITEM	PART NO.	QTY	DESCRIPTION
1	01386260	1	ON-BOARD CHARGER
2	01384560	1	LOCKING WIRE
3	01110570	2	SCREW
***	99715575	1	POWER CABLE (NOT SHOWN)
W12	03024940	1	WIRING HARNESS W12
W13	03025670	1	WIRING HARNESS W13

Lithium Battery



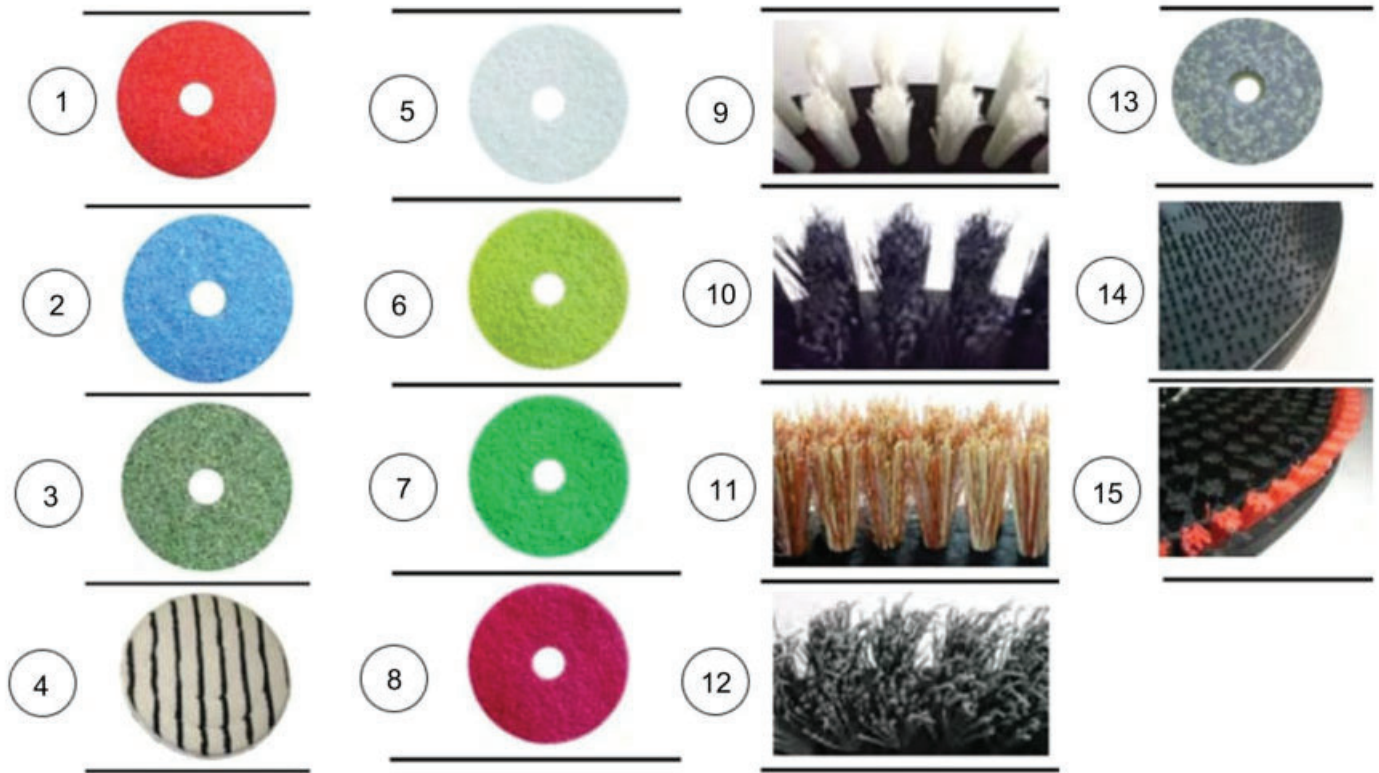
BILL OF MATERIAL			
ITEM	PART NO.	QTY	DESCRIPTION
1	---	1	BATTERY - PART # AVAILABLE ON REQUEST
2	---	1	ADDITIONAL WEIGHT
3	00053750	2	WASHER
4	00730940	2	DETENT EDGED WASHER
5	00053010	2	HEXAGON SCREW
6	00053080	2	HEXAGON SCREW
7	00053730	2	WASHER
8	00740310	2	WASHER
9	00131610	2	LENS CAP
10	---	1	SPARE PART ON REQUEST
11	01385020	1	DECAL

Additional Weight



BILL OF MATERIAL			
ITEM	PART NO.	QTY	DESCRIPTION
1	---	2	SPARE PART ON REQUEST
2	---	1	SPARE PART ON REQUEST
3	01174660	2	COUNTERSUNK SCREW
4	01145160	2	HEX. NUT

Cleaning Tools



BILL OF MATERIAL			
ITEM	PART NO.	QTY	DESCRIPTION
1	99783805	1	SUPER PAD 17" RED (5 PC)
2	99769105	1	CARTON PAD, 17" BLUE (5 PC)
3	99764705	1	SUPER PAD 17" GREEN (5 PC)
4	99785002	1	MICRO FIBER PAD 17"
5	99791742	1	TWISTER PAD 17" WHITE (2 PC)
6	99791712	1	TWISTER PAD 17" YELLOW (2 PC)
7	99791702	1	TWISTER PAD 17" GREEN (2 PC)
8	99791722	1	TWISTER PAD 17" RED (2 PC)
9	99794311	1	BRUSH, DISK 17" PPN 0.5
10	99794312	1	BRUSH, DISK 17" K901
11	99794317	1	BRUSH, DISK 17" 5 COMPONENT
12	99794313	1	BRUSH, DISK 17" SIC K600
13	99796171	1	SUPER PAD 17" MELAMIN
14	99794310	1	BRUSH, DISK 17"
15	99794360	1	BRUSH, DISK 17" BRISTLES

“More Than Just Clean”

**Minuteman is a Full Line Manufacturer of Sweepers and Scrubbers,
for Industrial Facilities.**